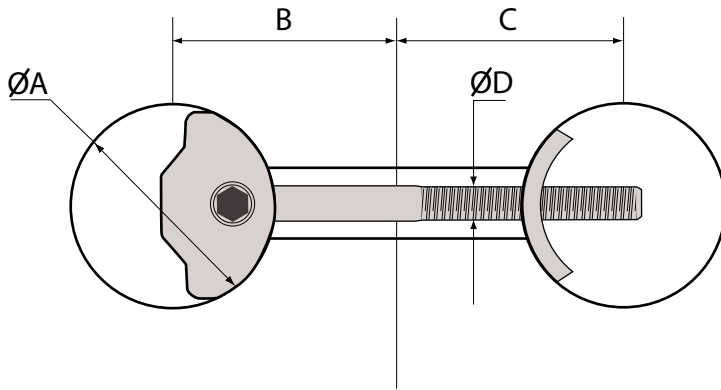


# DATA SHEET

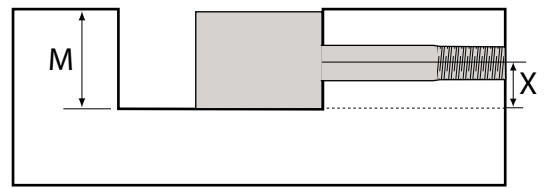


## QT 10.500 85mm Worktop Connector

### SPECIFICATION



### SHAFT CENTRE CALCULATION



M= Minimum Bore Depth 20mm (51/64 inches)  
X = Shaft Centre 10mm (25/64 inches)

### Measurements

	Millimetres	Inches
A	35	1 <sup>3</sup> / <sub>8</sub>
B	33-44	1 <sup>19</sup> / <sub>64</sub> - 1 <sup>47</sup> / <sub>64</sub>
C	33-44	1 <sup>19</sup> / <sub>64</sub> - 1 <sup>47</sup> / <sub>64</sub>
D	6	1 <sup>5</sup> / <sub>64</sub>



5mm hex bit