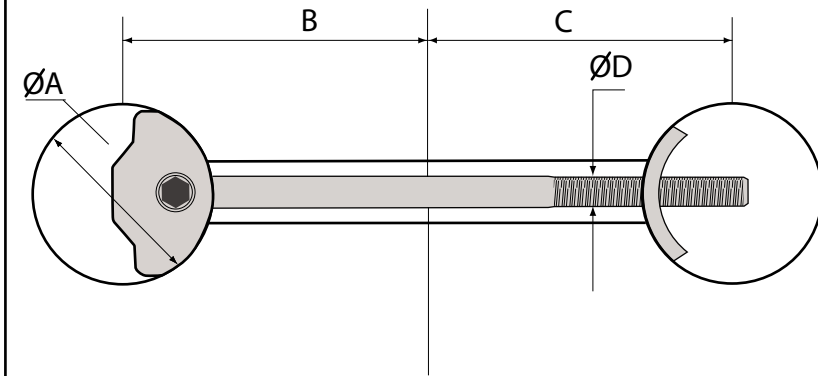


DATA SHEET

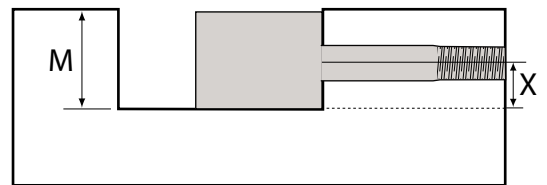


QT 10.700 164mm Worktop Connector

SPECIFICATION



SHAFT CENTRE CALCULATION



M= Minimum Bore Depth 20mm (51/64 inches)
X = Shaft Centre 10mm (25/64 inches)

Measurements

	Millimetres	Inches
A	35	1 ³ / ₈
B	74 - 87	2 ²⁹ / ₃₂ - 3 ²⁷ / ₆₄
C	74 - 87	2 ²⁹ / ₃₂ - 3 ²⁷ / ₆₄
D	6	1 ⁵ / ₆₄



5mm hex bit