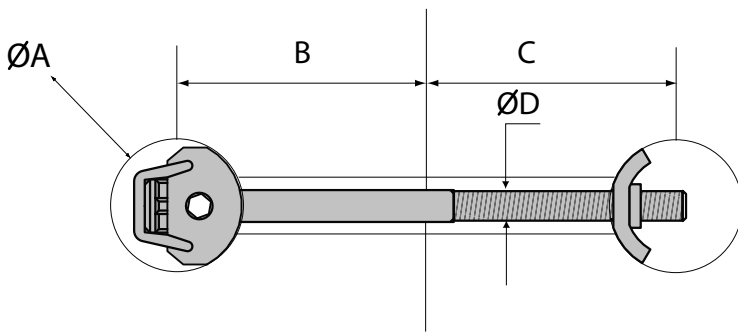


DATA SHEET

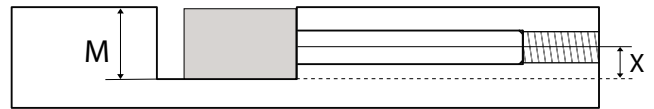


QT 10.800 100mm Mini Worktop Connector

SPECIFICATION



SHAFT CENTRE CALCULATION



M= Minimum Bore Depth 12.5mm (31/64 inches)
X = Shaft Centre 5.5mm (13/64 inches)

Measurements

	Millimetres	Inches
A	25	63/64
B	42-49	1 ²¹ / ₃₂ - 1 ⁵⁹ / ₆₄
C	42-49	1 ²¹ / ₃₂ - 1 ⁵⁹ / ₆₄
D	6	1 ⁵ / ₆₄

