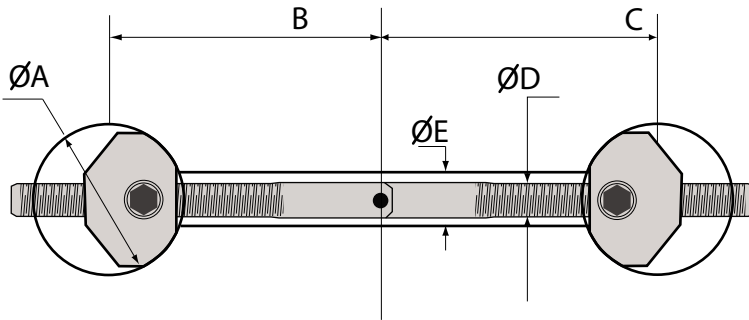


DATA SHEET

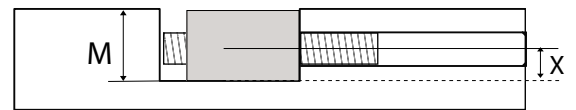


QT 11.500 135mm Mini Full Mitre Connector

SPECIFICATION



SHAFT CENTRE CALCULATION



M = Minimum Bore Depth 20mm (51/64 inches)
X = Shaft Centre 5.5mm (13/64 inches)

Measurements

	Millimetres	Inches
A	25	1
B	60*	2 ²³ / ₆₄
C	60*	2 ²³ / ₆₄
D	6	15/ ₆₄
E	7	9/ ₃₂



***Note:** The distance from edge of the material to the centre of the 25mm diameter bore hole(A) is 60mm (B). Depending on the angle the material is cut and the depth of the bore hole, this actual distance will vary. The MITRE ZPBOLT has been designed to be adjusted on the full scope of threaded shaft. For further adjustment when drilling the 7mm shaft (E) continue to drill past the 25mm bore hole. This allows the shaft to travel further past the gear head when tensioning MITRE Zipbolt.



T. 0800 055 6001
F. 0800 055 6002
info@quaytechuk.com
www.quaytechuk.com