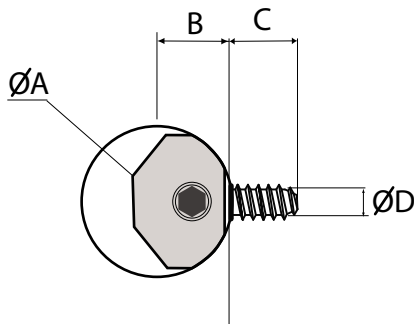


DATA SHEET

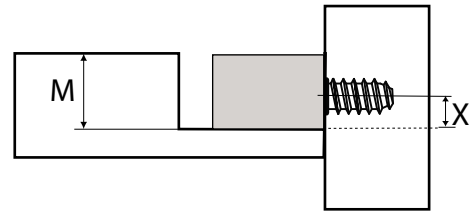


QT 12.601 30mm Cabinet Connector

SPECIFICATION



SHAFT CENTRE CALCULATION



M= Minimum Bore Depth 12.5mm (31/64 inches)
X = Shaft Centre 5.5mm (13/64 inches)

Measurements

	Millimitres	Inches
A	25	
B	12	
C	12	
D	5	

