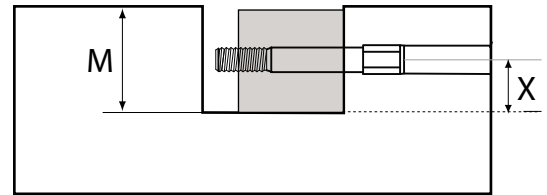
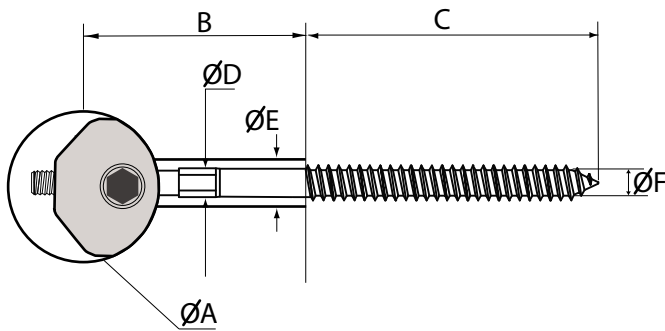


QT 13.600 90mm x 8mm Rail Bolt Connector

SPECIFICATION



M= Minimum Bore Depth 20mm (51/64 inches)
X = Shaft Centre 10mm (25/64 inches)

Measurements

	Millimetres	Inches
A	25	1
B	38	1 ¹ / ₂
C	52	2 ³ / ₃₂
D	7	
E	9 - 10	³ / ₈
F	6 - 7	¹ / ₄

