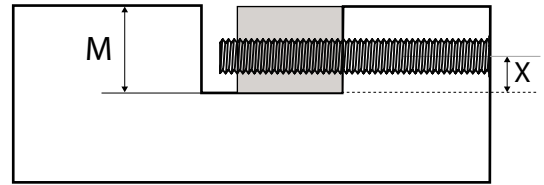
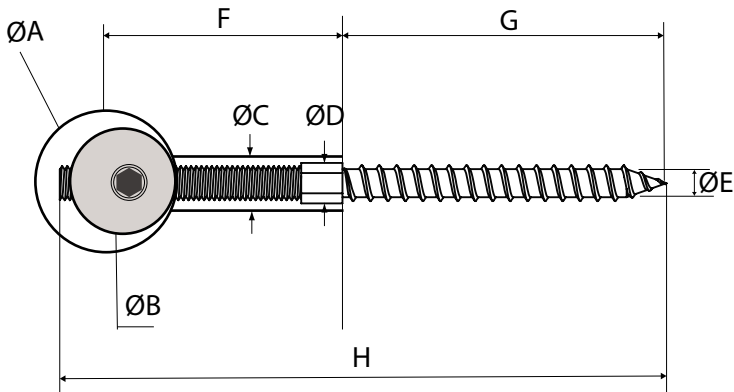


DATA SHEET



QT 16.600 (QT 40.500 6mm Deep Driver Socket) 90mm x 8mm Rail Bolt Connector

SPECIFICATION



M= Minimum Bore Depth 13mm (1/2 inches)
X = Shaft Centre 5mm (3/16 inches)

Measurements

	Millimetres	Inches
A	19	3/4
B	15	19/32
C	8	5/16
D	6	
E	5	3/16
F	38	1 1/2
G	47	1 7/8
H	88	3 7/16



T. 0800 055 6001
F. 0800 055 6002
info@quaytechuk.com
www.quaytechuk.com

PO Box 12207 • Alresford • Colchester • CO7 8WG